

# SH20 SERIES

## GENERAL PURPOSE HYDRAULIC & FLUID TRANSFER COUPLINGS

The SH20 Series is a general purpose, double shut-off quick coupling capable of containing a wide variety of fluids. This series can be found anywhere a dependable connection and disconnection of a fluid transfer line is required. Through the years, this interchange has been widely used on both mobile and industrial applications. They can be found on garden tractors, self-propelled combines, skid steer loaders, wire pullers, and hydraulic presses.

- Leak-free poppet valve or rugged ball style valve available.
- Rated at 6,000 psi maximum operating pressure.
- Compact design with smooth, reliable ball latch connection.
- Interchangeable half-for-half with the Parker/Pioneer SM Series and Aeroquip FD48 Series of quick couplings.
- Poppet valve models are 100% leak tested.
- Heavy-duty double shut-off valve design available with either soft seat poppet style valving or ball valve.
- Poppet valve models feature our high flow poppet design with fully captured poppet seal to eliminate seal washout and leakage.
- Available in 1/4" body size with female threads. Both pipe and SAE O-ring Boss (ORB) threads are available in a variety of sizes.



- Poppet valve models are 100% leak tested.
- Critical parts are hardened for long service life.
- Machined from solid steel barstock.
- Dust plugs and dust caps are available.
- Method of obtaining and presenting performance data conforms to ANSI (NFPA) T3.20.2.R2, *Hydraulic fluid power - Quick action couplings - Test methods.*

## PERFORMANCE DATA

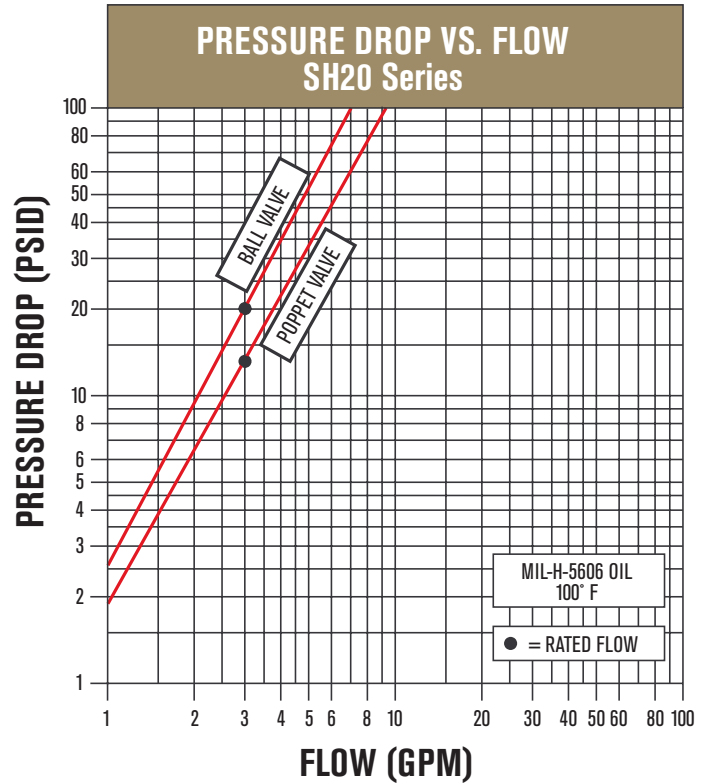
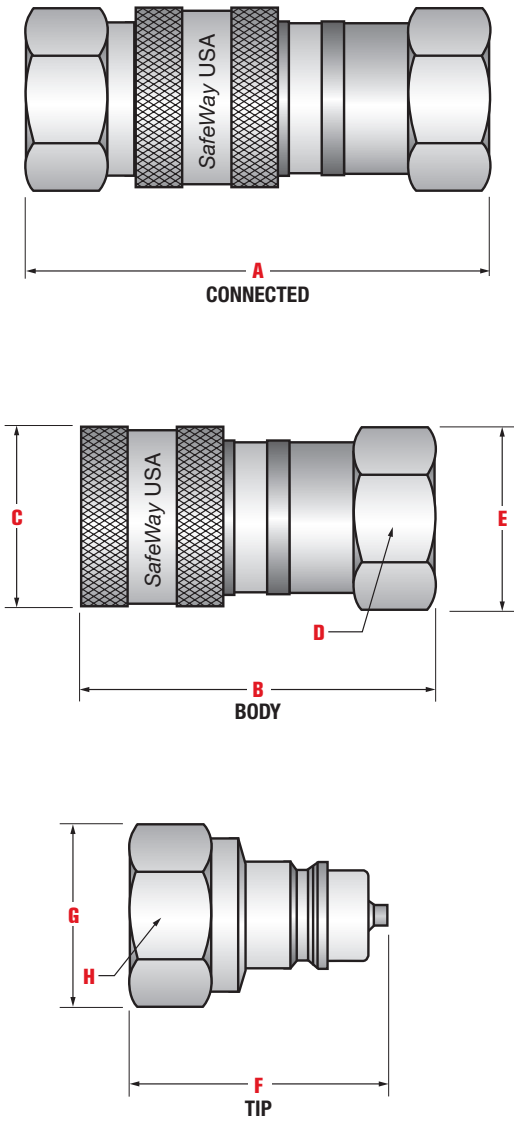
PART NUMBERS			DESCRIPTION		OPERATING PRESSURE		NFPA RATED FLOW	
Complete Coupler	Female Body Half	Male Tip Half	Body Size	Thread Size and Description	Maximum		GPM	(LPM)
					PSI	(BAR)		
SH20-2	SH25-2	SH21-2	1/4"	1/4" Female Pipe	6,000	(414)	3	(12)
SH20-2P	SH25-2P	SH21-2P	1/4"	1/4" Female Pipe	6,000	(414)	3	(12)
SH20-14	SH25-14	SH21-14	1/4"	9/16"-18 Female ORB	6,000	(414)	3	(12)
SH20-14P	SH25-14P	SH21-14P	1/4"	9/16"-18 Female ORB	6,000	(414)	3	(12)
SH20-2-3P	SH25-2-3P	SH21-2-3P	1/4"	3/8" Female Pipe	6,000	(414)	3	(12)

Temperature Range: Standard Seals (Buna-N) -40° to +250° F Viton® Option -15° to +450° F Other Seals Available.  
 Vacuum Data: 27.4 inches Hg, both connected and disconnected – Poppet valved models in all sizes (P suffix).

Viton® is a registered trademark of DuPont Dow Elastomers.

Pressure rating (Max. Operating Pressure) is based on Non-Pulsating, Low Cycle applications with essentially steady pressure during the operating cycle. Please consult factory regarding other applications.

# GENERAL PURPOSE BRUNING SM SERIES INTERCHANGE COUPLINGS



## DIMENSIONAL DATA

Complete Coupler Number	DIMENSIONS (inches)							
	Overall Length A	Body Length B	Diameter C	Wrench Flat D	Diameter E	Tip Length F	Diameter G	Hex H
SH20-2	2.52	1.94	1.09	.75	.88	1.32	.86	.75
SH20-2P	2.52	1.94	1.09	.75	.88	1.35	.86	.75
SH20-14	2.52	1.94	1.09	.75	.88	1.32	.86	.75
SH20-14P	2.52	1.94	1.09	.75	.88	1.35	.86	.75
SH20-2-3P	2.92	2.14	1.09	.94	1.06	1.57	1.08	.94

See pages 34-36 for accessories to the SH20 Series.