

# FF49 SERIES

## FLUSH FACE, HEAVY DUTY, NON-SPILL QUICK COUPLINGS

The FF49 Series quick couplings provide rugged-flush-face valving for non-spill dry breaks, and allow one-hand push-to-connect with safety sleeve-lock standard. The 3/8" size meets HTMA dimensional standards while providing significantly higher pressure containment than other brands (10,000 operating psi). The FF49-6 and FF49-6-12 are rated at 6,000 operating psi and have a significantly smaller footprint than other brands. Ideally suited for use in hydraulic hand tools, overhead bucket hoists, skid steer loaders, and wherever spillage can constitute a safety or environmental hazard.



- Interchangeable with quick couplings meeting ISO 16028 dimensional requirements while exceeding performance requirements.
- Interchangeable with SafeWay's FFE49, with higher maximum operating pressure.
- 3/8" size is available in 303 stainless steel (SF49-3).
- Available in 3/8" and 1/2" body size in a wide variety of thread sizes and types (pipe and ORB standard).
- 3/8" size meets HTMA dimensional requirements. A black sleeve and "10,000 PSI MAX" stamping identify this size as the high pressure model within this interchange.
- Provides significantly higher working pressure than couplers we replace, with equal or better flow.
- Minimum air inclusion during connection and minimum fluid spillage during disconnection.
- Rugged flush face valving allows easy cleaning to minimize system contamination.
- Nitrile seals are standard. Seals made of Viton® are standard in the SF49-3.
- The 3/8" body size includes unique double seals behind the coupler sleeve to prevent contamination from reaching critical toleranced parts.
- Smooth push-to-connect operation will allow connections against a maximum of 250 psi trapped pressure in the 3/8" body size; a maximum of 400 psi in the 1/2" body size.
- Standard sleeve lock feature prevents unintended disconnection.
- Additional detent (locking) balls greatly improve durability and increase pressure containment.
- Excellent for use anywhere spillage can result in a safety or environmental hazard.
- Heavy-duty steel dust plugs and dust caps are currently available for 3/8" body size male and female halves.
- All FF49 Series quick couplings are 100% leak tested.
- Method of obtaining and presenting performance data conforms to ANSI (NFPA) T3.20.2.R2, *Hydraulic fluid power - Quick action couplings - Test methods*.

## PERFORMANCE DATA

PART NUMBERS			DESCRIPTION		OPERATING PRESSURE		RATED FLOW		MAX. SPILLAGE
Complete Coupler	Female Body Half	Male Tip Half	ISO Body Size	Thread Size and Description	Maximum		GPM	LPM	(per disconnect)
					PSI	(BAR)			CC
SF49-3	SF495-3	SF491-3	3/8"	3/8" Female Pipe	3,000	(207)	10	(38)	.02
FF49-3	FF495-3	FF491-3	3/8"	3/8" Female Pipe	10,000	(690)	10	(38)	.02
FF49-3M	FF495-3M	FF491-3	3/8"	3/8" Female/Male Pipe	10,000	(690)	10	(38)	.02
FF49-3-8	FF495-3-8	FF491-3-8	3/8"	3/4"-16 Female ORB	10,000	(690)	10	(38)	.02
FF49-3-1/2 (was FF49-4)	FF495-3-1/2	FF491-3-1/2	3/8"	1/2" Female Pipe	10,000	(690)	10	(38)	.02
FF49-6	FF495-6	FF491-6	1/2"	3/4" Female Pipe	6,000	(414)	12	(45)	.04
FF49-6-12	FF495-6-12	FF491-6-12	1/2"	1-1/16"-12 Female ORB	6,000	(414)	12	(45)	.04

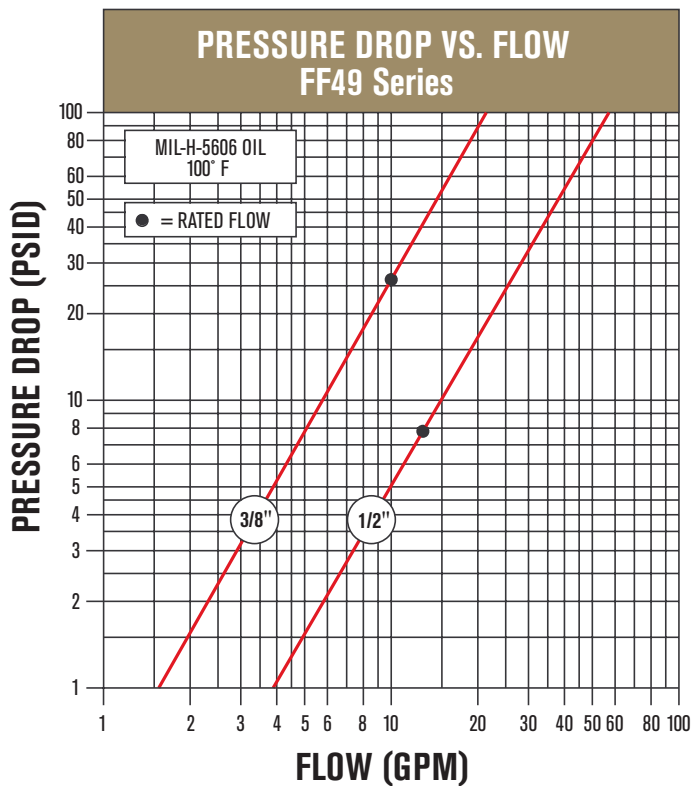
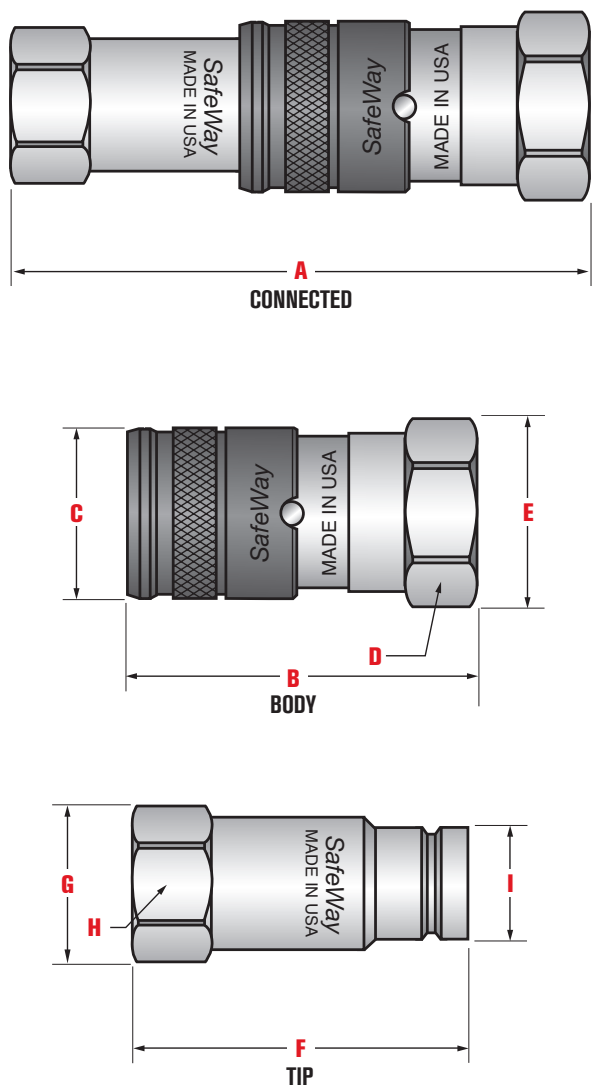
The SF49-3 is produced in 303 series stainless steel with Viton® seals standard. Dimensional data is identical to the FF49-3.

Temperature Range: Standard Seals (Buna-N) -40° to +250° F    Viton® Option (std. in SF49-3) -15° to +450° F    Other Seals Available.  
 Vacuum Data: 27.4 inches Hg. both connected and disconnected.

Viton® is a registered trademark of DuPont Dow Elastomers.

Pressure rating (Max. Operating Pressure) is based on Non-Pulsating, Low Cycle applications with essentially steady pressure during the operating cycle. Please consult factory regarding other applications.

# HIGH PRESSURE & HIGH FLOW WITHOUT SPILLAGE



## DIMENSIONAL DATA

Complete Coupler Number	DIMENSIONS (inches)								
	Overall Length A	Body Length B	Diameter C	Hex D	Diameter E	Tip Length F	Diameter G	Hex H	Tip Diameter I
SF49-3	4.19	2.47	1.19	1.12	1.24	2.35	1.04	.94	.78
FF49-3	4.19	2.47	1.19	1.12	1.24	2.35	1.04	.94	.78
FF49-3M	4.47	2.75	1.19	1.12	1.24	2.35	1.04	.94	.78
FF49-3-8	4.56	2.67	1.19	1.12	1.24	2.52	1.18	1.06	.78
FF49-3-1/2 (was FF49-4)	4.54	2.67	1.19	1.12	1.24	2.50	1.18	1.06	.78
FF49-6	5.20	3.06	1.50	1.38	1.57	2.81	1.55	1.38	.96
FF49-6-12	5.60	3.29	1.50	1.38	1.57	2.98	1.55	1.38	.96

See pages 34-36 for accessories to the FF49 Series.